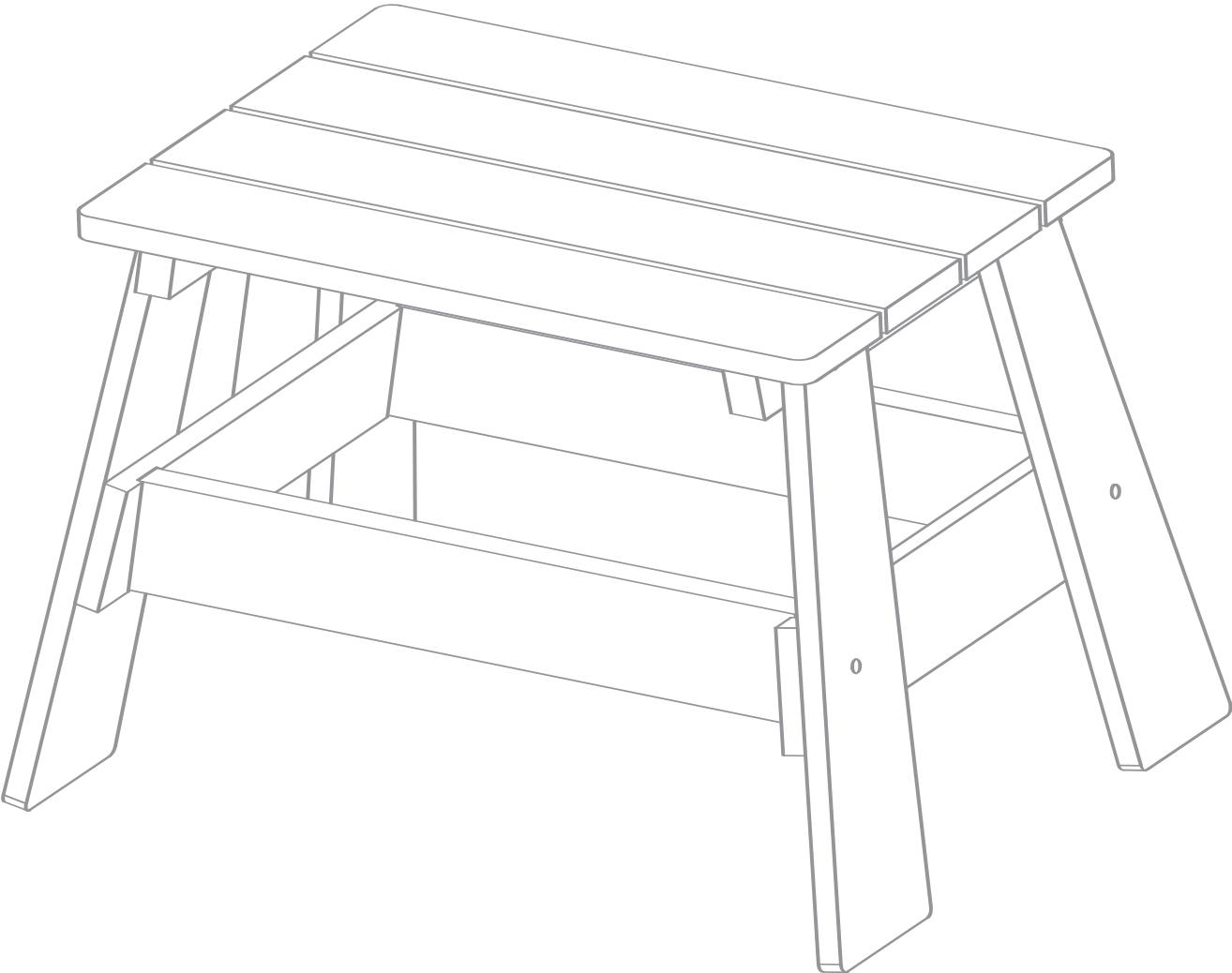


LOHASRUS™

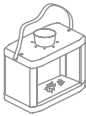
Bringing kids closer to nature



First Name _____ Last Name _____ Age _____
Address _____ State _____ ZIP _____
Email _____ Temporary ID _____

LOHASRUSTM

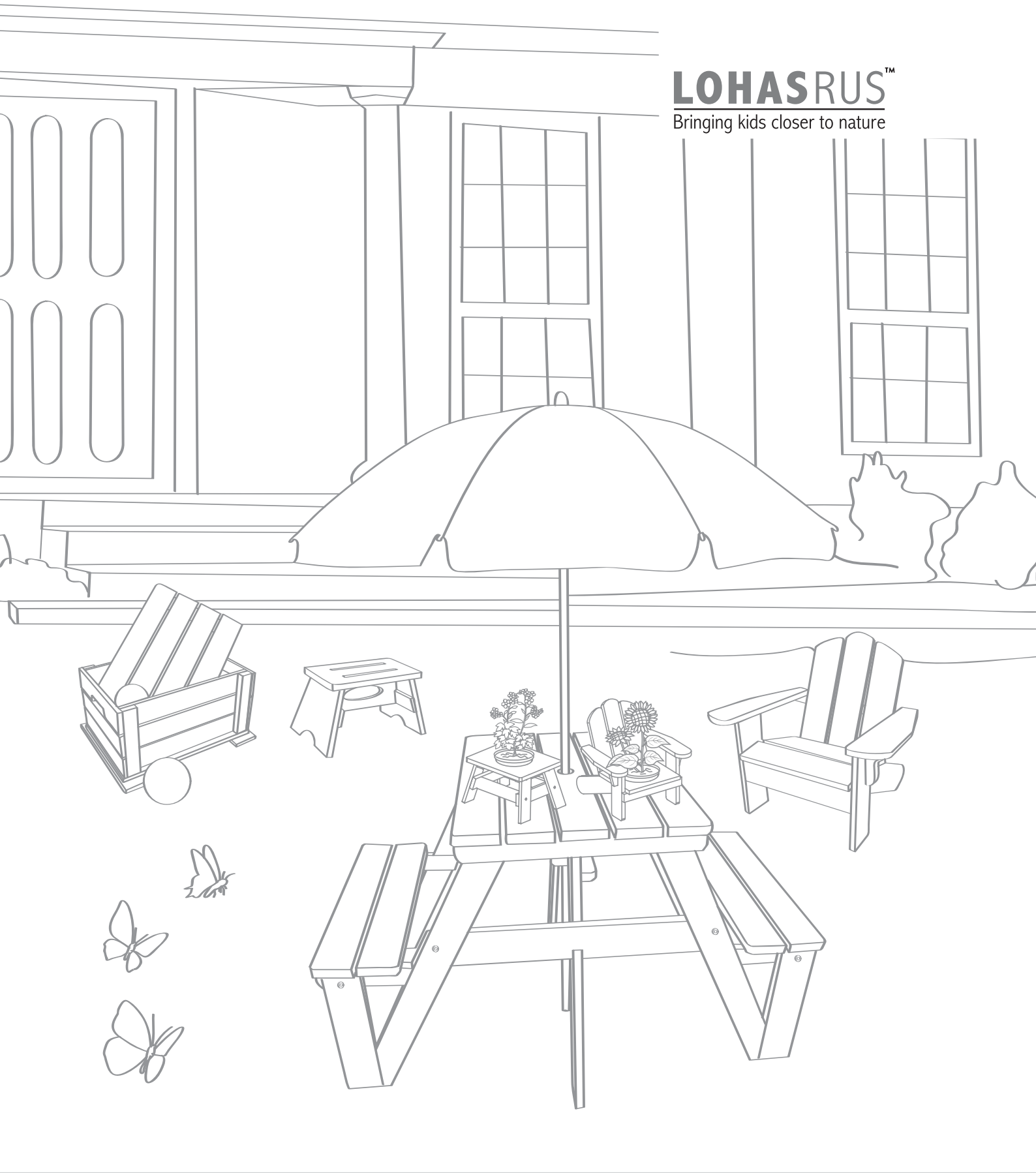
re



First Name _____ Last Name _____ Age _____
Address _____ State _____ ZIP _____
Email _____ Temporary ID _____

LOHASRUS™

Bringing kids closer to nature



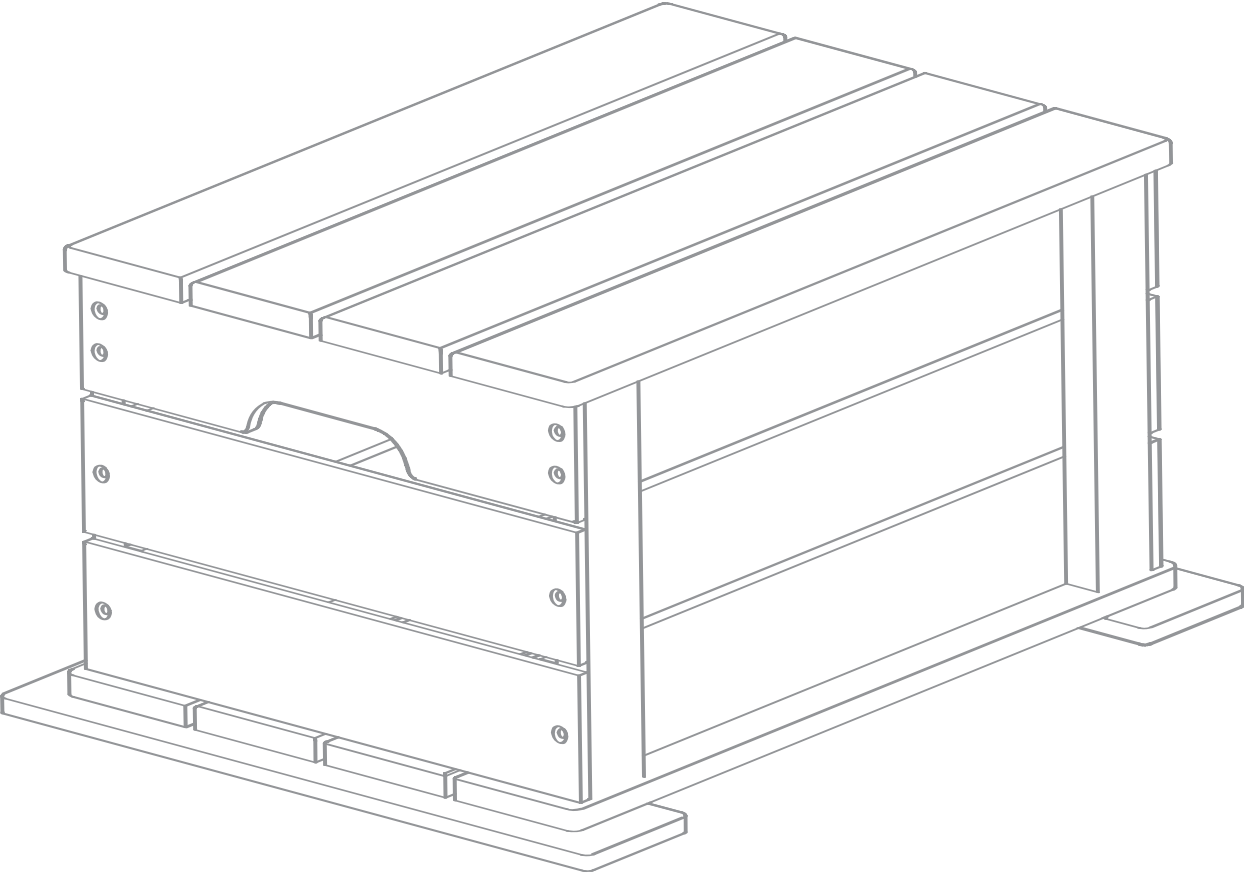
First Name _____ Last Name _____ Age _____

Address _____ State _____ ZIP _____

Email _____ Temporary ID _____

LOHASRUS™

Bringing kids closer to nature



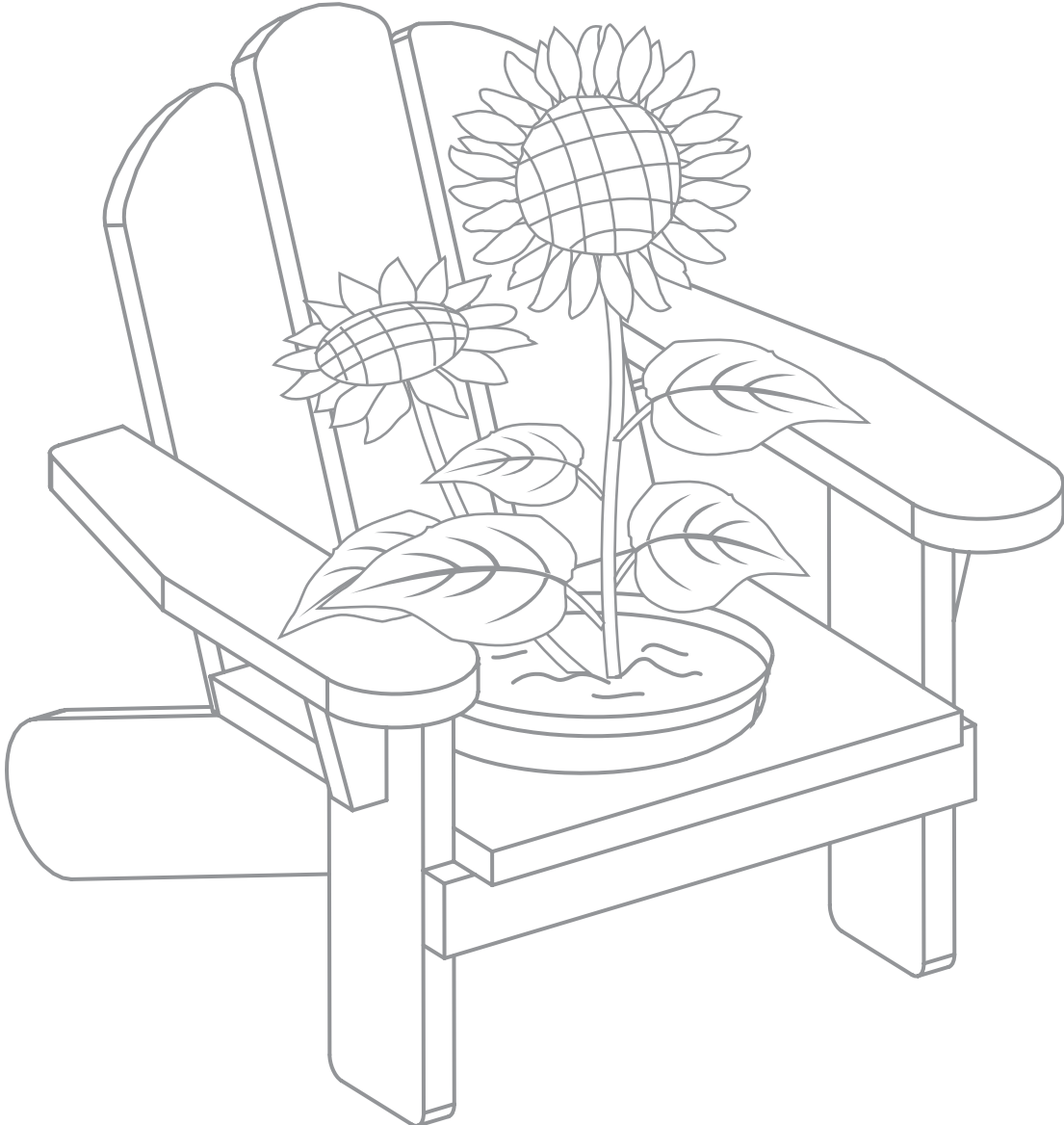
First Name _____ Last Name _____ Age _____

Address _____ State _____ ZIP _____

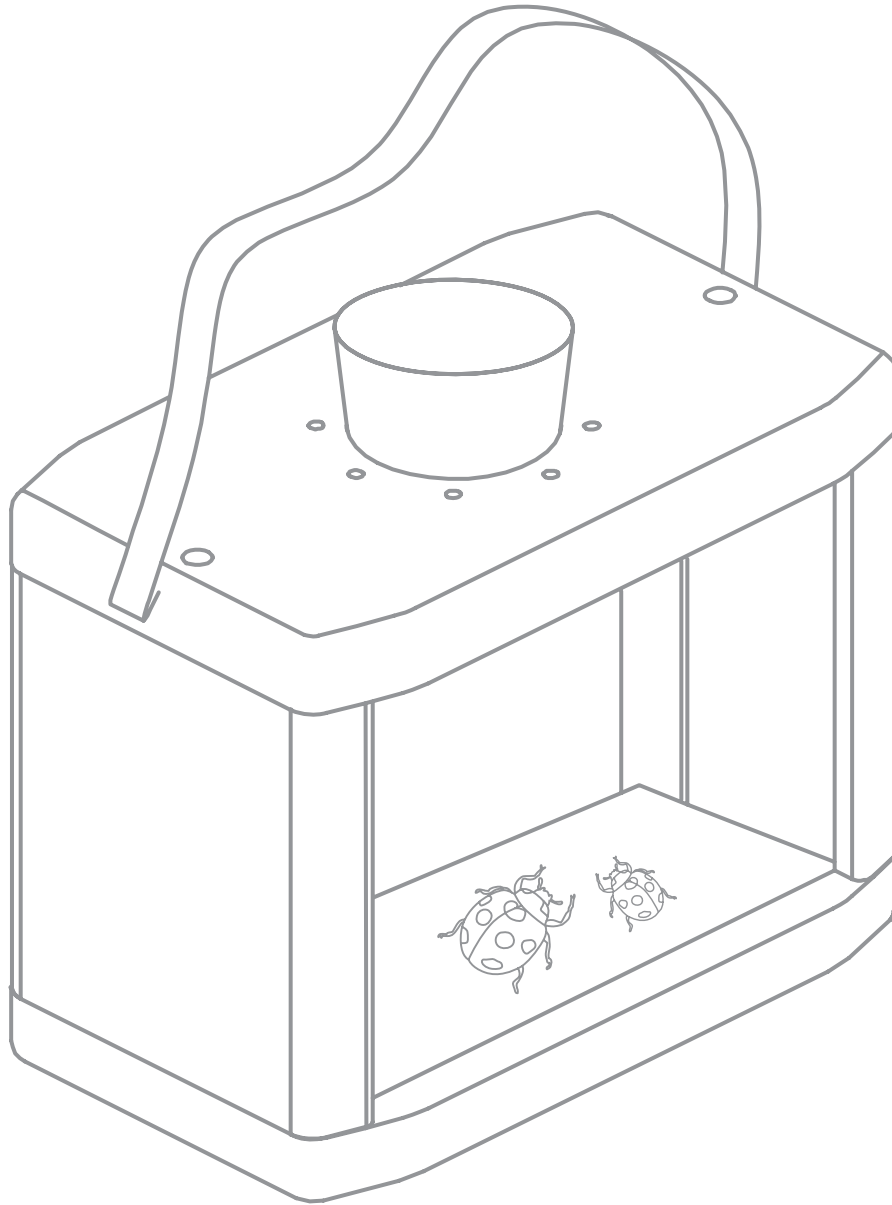
Email _____ Temporary ID _____

LOHASRUS™

Bringing kids closer to nature



First Name _____ Last Name _____ Age _____
Address _____ State _____ ZIP _____
Email _____ Temporary ID _____



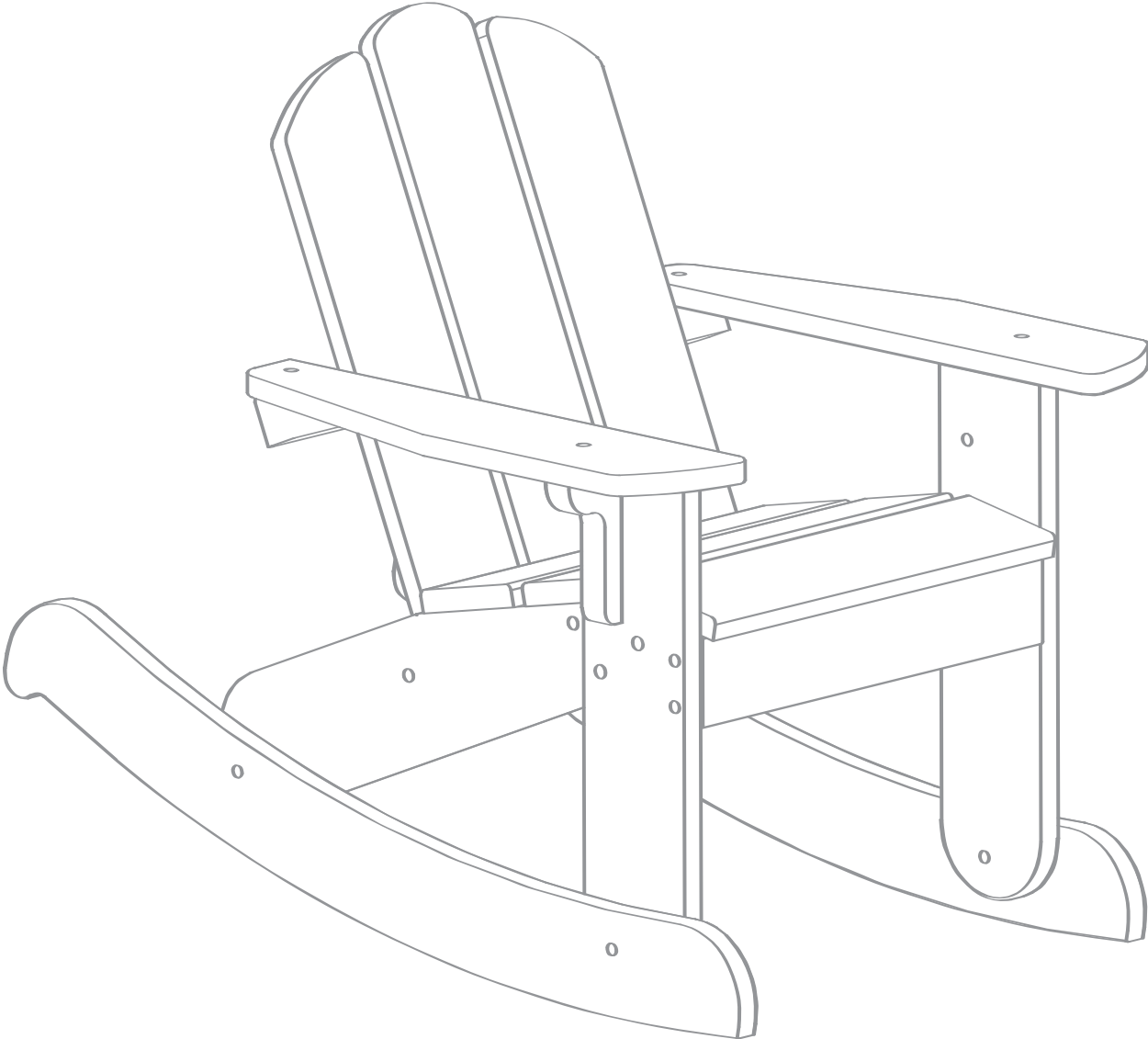
First Name _____ Last Name _____ Age _____

Address _____ State _____ ZIP _____

Email _____ Temporary ID _____

LOHASRUS™

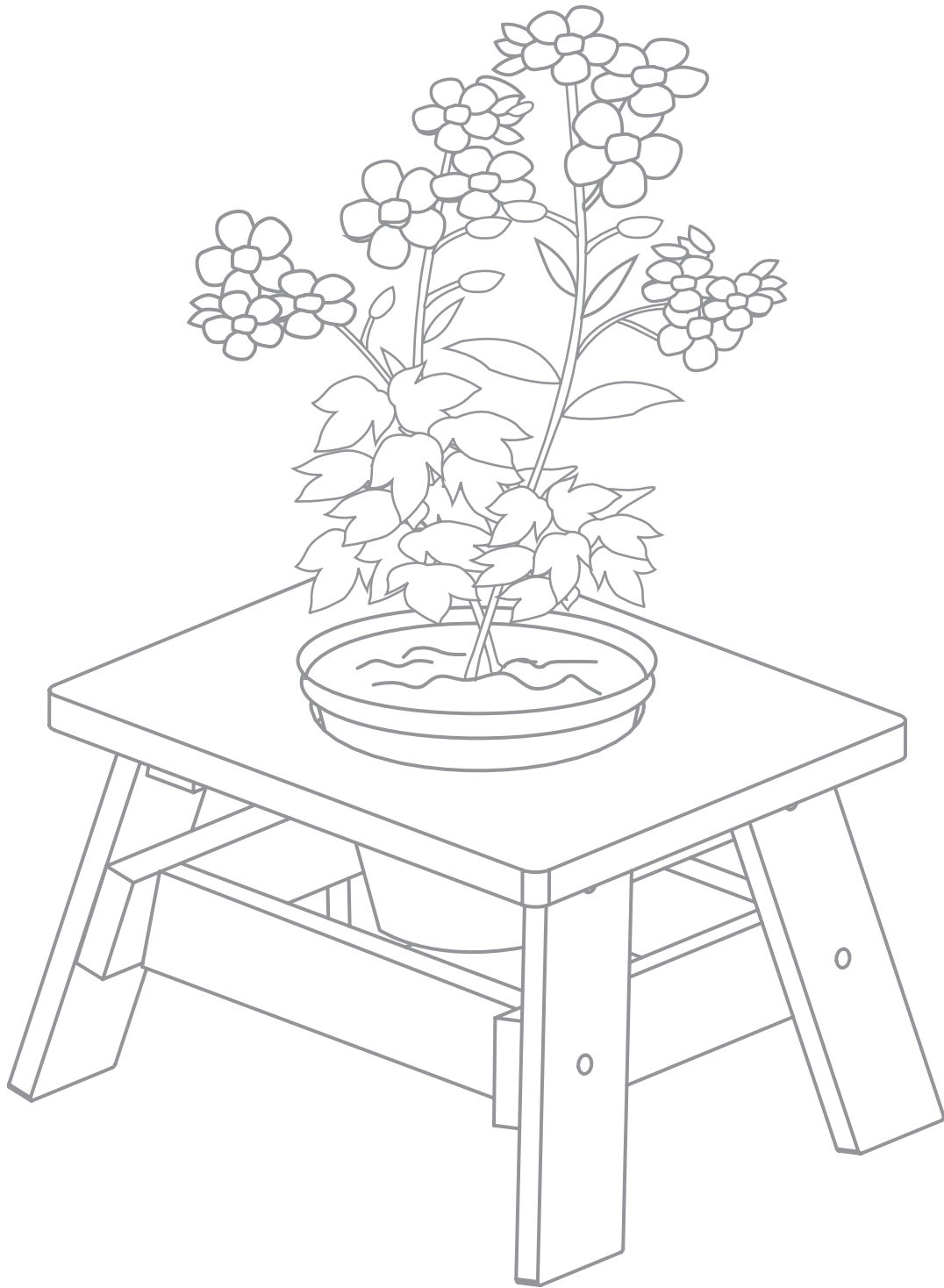
Bringing kids closer to nature



First Name _____ Last Name _____ Age _____

Address _____ State _____ ZIP _____

Email _____ Temporary ID _____



First Name _____ Last Name _____ Age _____

Address _____ State _____ ZIP _____

Email _____ Temporary ID _____